



**record-usa**  
4910 STARCREST DR.  
MONROE, NC 28110  
(704) 289 - 9212

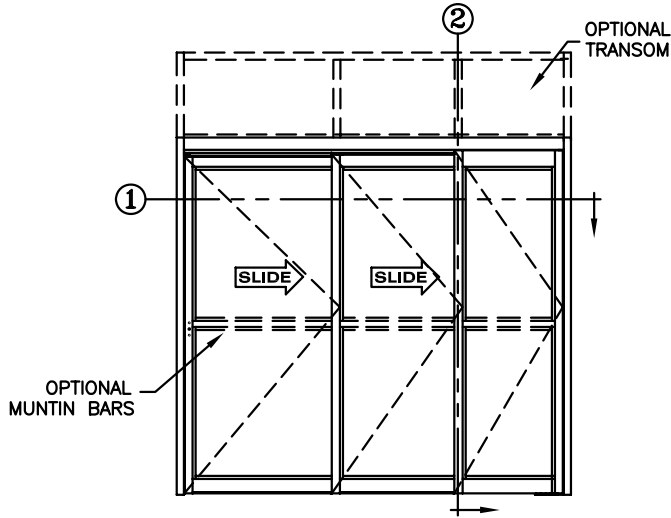
JOB NAME: \_\_\_\_\_

LOCATION: \_\_\_\_\_

**5900 SERIES MANUAL SLIDING DOORS**

TYPE: 5923-1, S0-SX-SX, R.H. 3 PANEL TELESCOPE  
TRACKLESS BOTTOM GUIDE

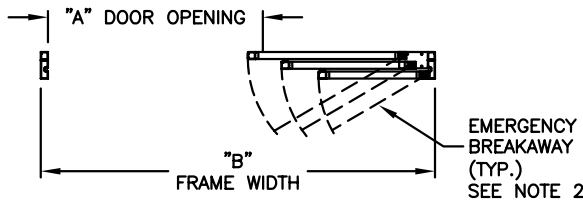
PAGE 59-2.28



**ELEVATION VIEW**

SCALE: 1/4" = 1'0"

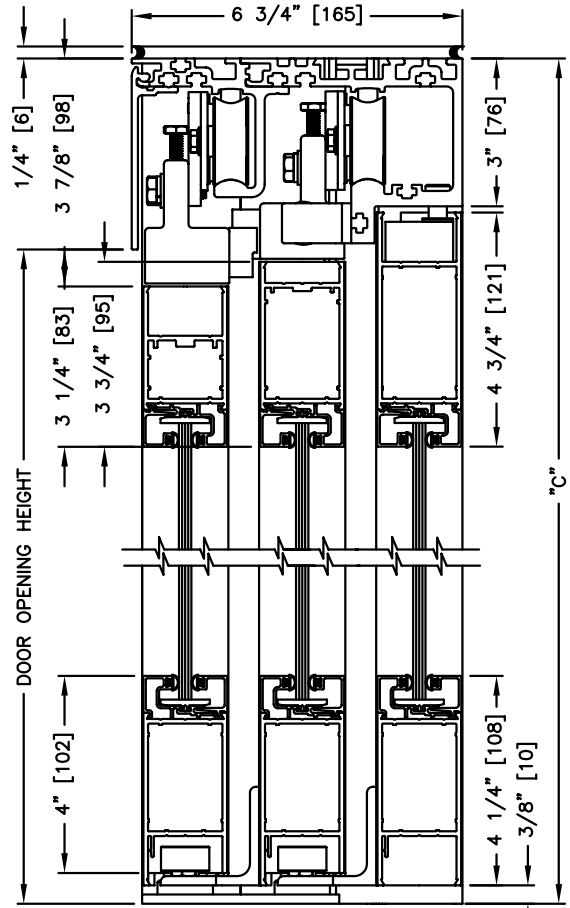
INTERIOR



EXTERIOR

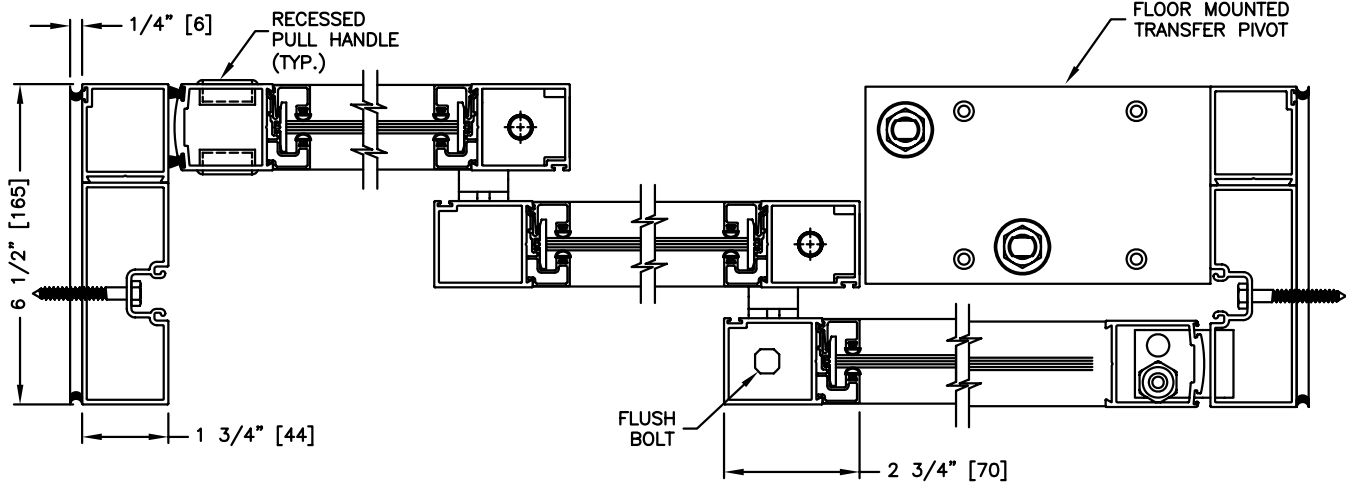
**PLAN VIEW**

SCALE: 1/4" = 1'0"



**SECTION: 2**

SCALE: 1/4 SIZE



**SECTION: 1**

SCALE: 1/4 SIZE

- NOTE:**
1. See sheets 59-2.39 thru 59-2.45 for optional muntins, bottom rails, transoms, glazing variations, bottom guides & thresholds.
  2. Panels breakaway only when sliding door is fully open and flush bolt at the top of the "S0" panel is released.