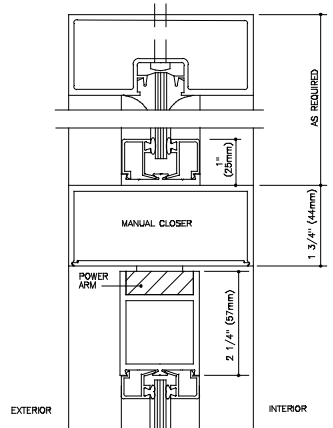


(USED WITH TRANSOM)

OPTIONAL FRAMING JAMBS (ALL 1 3/4" DEEP)

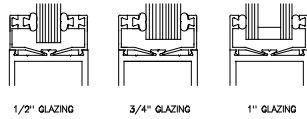
MEDIUM STILE VERTICAL RAIL
 SHOWN WITH 10" LONG PULL HANDLE

4" X 4" VERTICAL CENTER POST

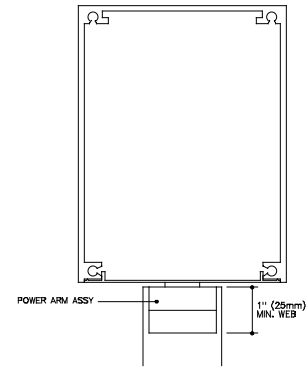
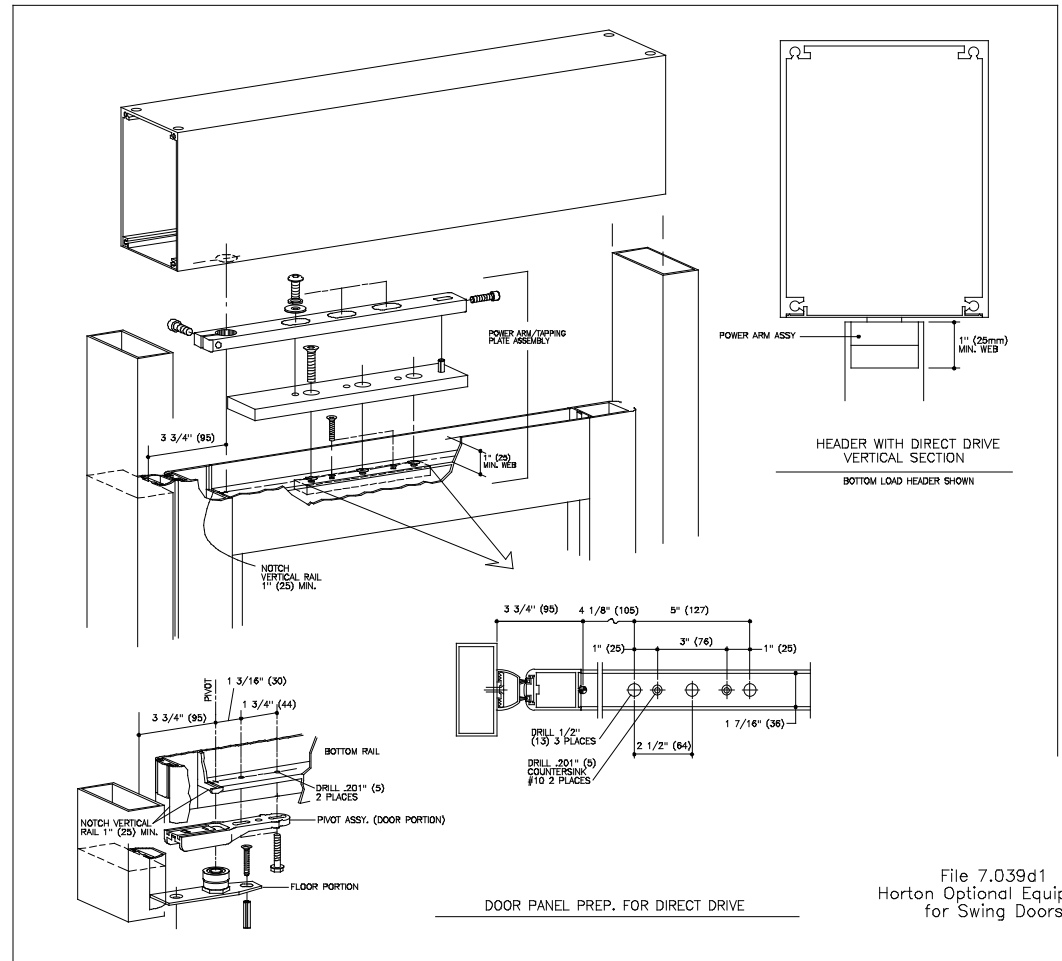


TRANSOM

LOW-PROFILE HEADER WITH MANUAL CLOSER



ADDITIONAL GLAZING OPTIONS



DOOR PANEL PREP. FOR DIRECT DRIVE

File 7.039d1
 Horton Optional Equipment
 for Swing Doors

ADDITIONAL HORIZONTAL BOTTOM RAILS
 THE 10" & 6 1/2" HORIZONTAL BOTTOM RAILS CAN BE CONVERTED TO HORIZONTAL MOUNTING BY ADDING AN ADAPTER TO THE UNDERSIDE AS SHOWN.