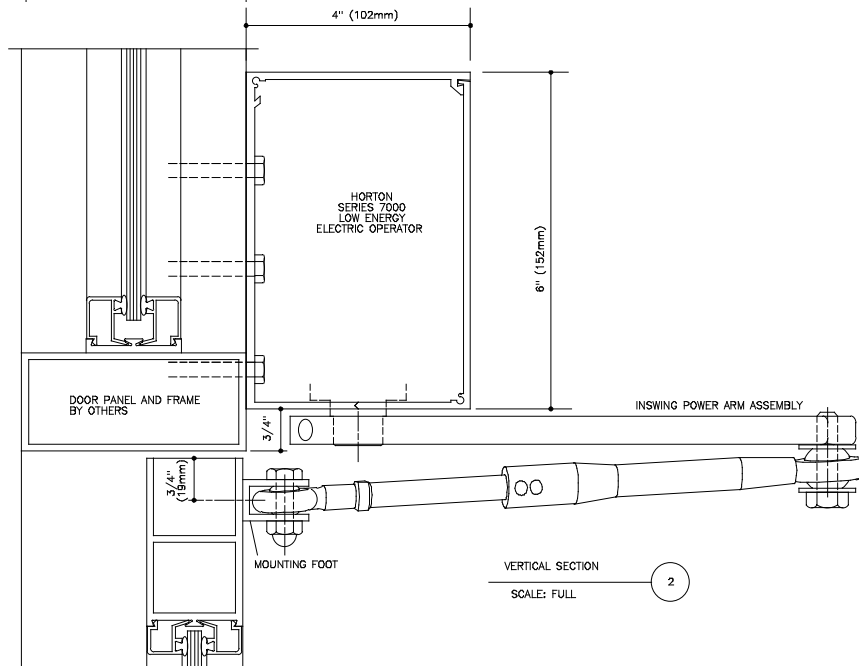
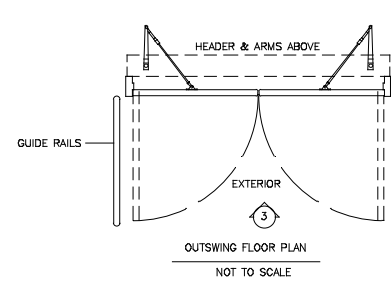


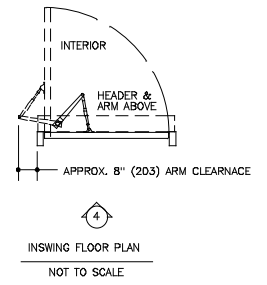
VERTICAL SECTION
SCALE: FULL 1



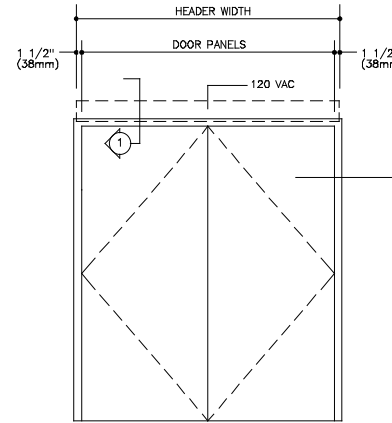
VERTICAL SECTION
SCALE: FULL 2



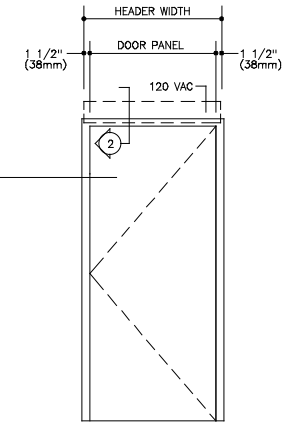
OUTSWING FLOOR PLAN
NOT TO SCALE



INSWING FLOOR PLAN
NOT TO SCALE



ELEVATION
NOT TO SCALE 3



ELEVATION
NOT TO SCALE 4

File 7.037d1
Horton Series 7100
Surface Applied Operator Package

GENERAL NOTES

1. Doors are handed as viewed from the exterior with the operator on interior.