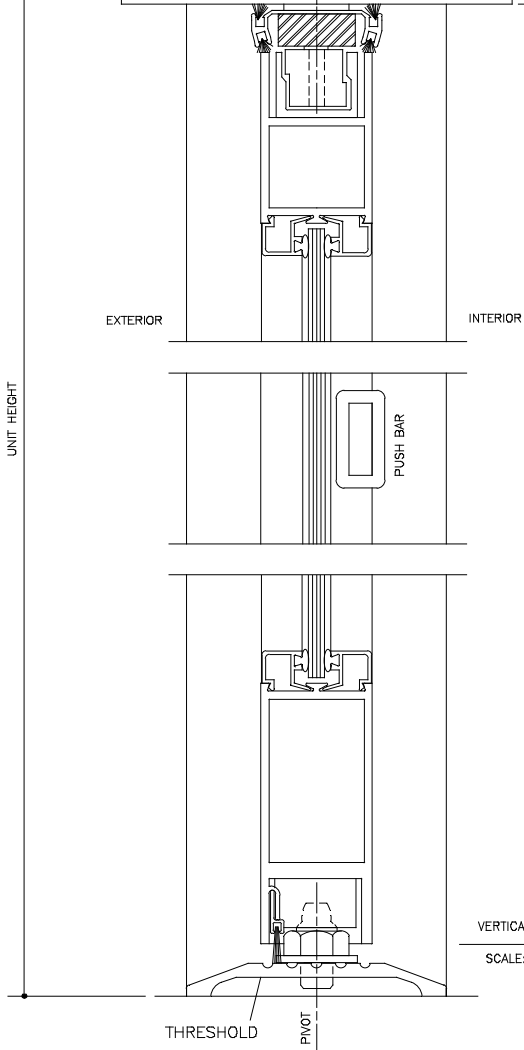
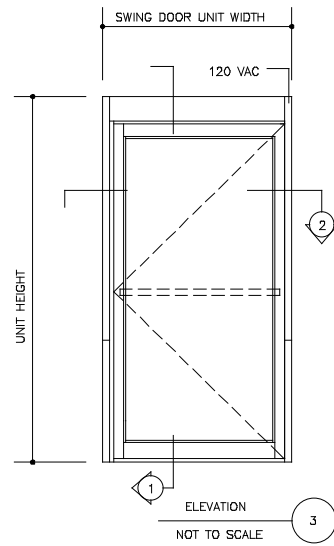


HORIZONTAL SECTION 2
SCALE: FULL

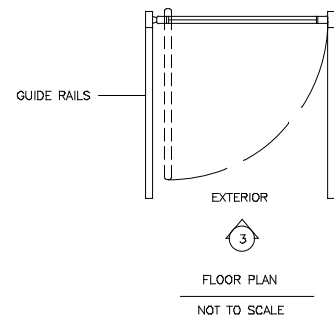


VERTICAL SECTION 1
SCALE: FULL



ELEVATION 3
NOT TO SCALE

NOTE : LHR (exterior swing) shown. For Interior swing, specify LH Right hand Opposite



FLOOR PLAN 3
NOT TO SCALE

NOTE
Rough opening should allow for 1/4" (5) minimum shim at jambs and header.

File 4.057d1a
Horton Series 4500 Single
Complete Door/Overhead Concealed Operator
Package