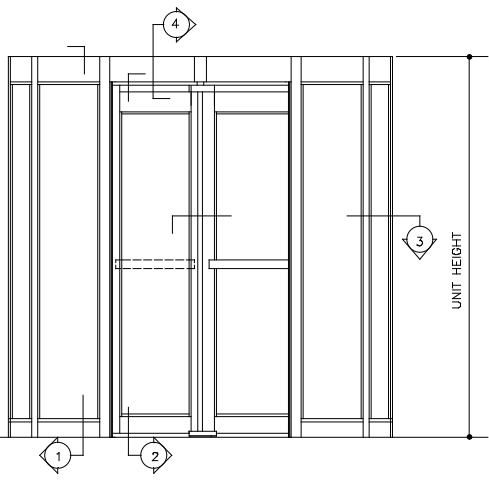
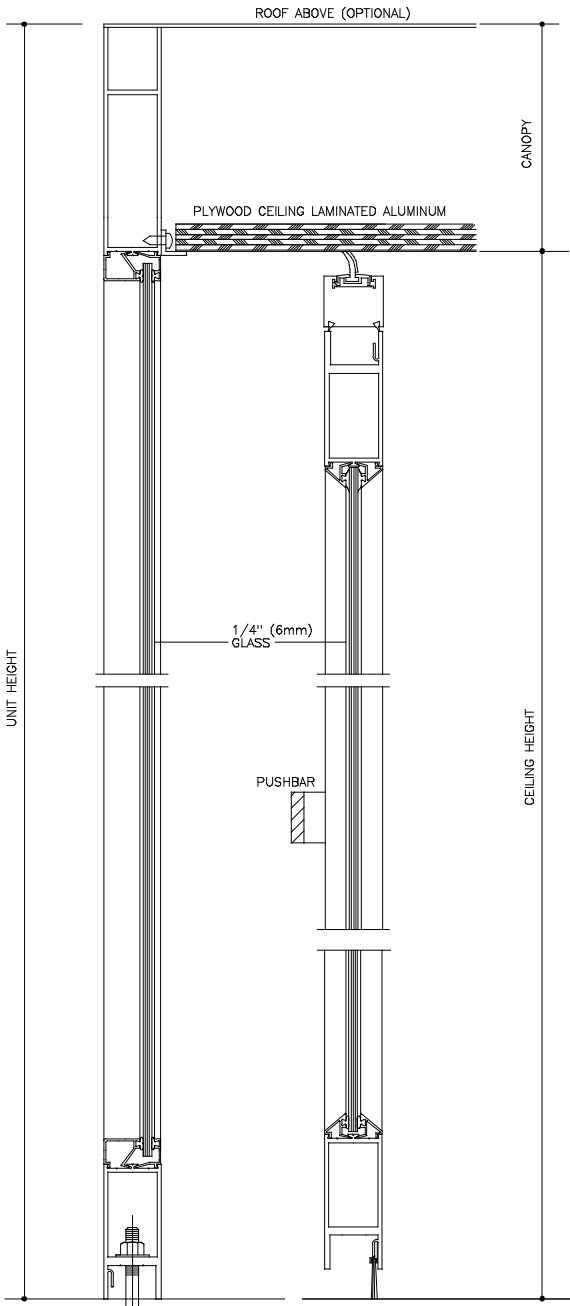


FLOOR PLAN
N.T.S.

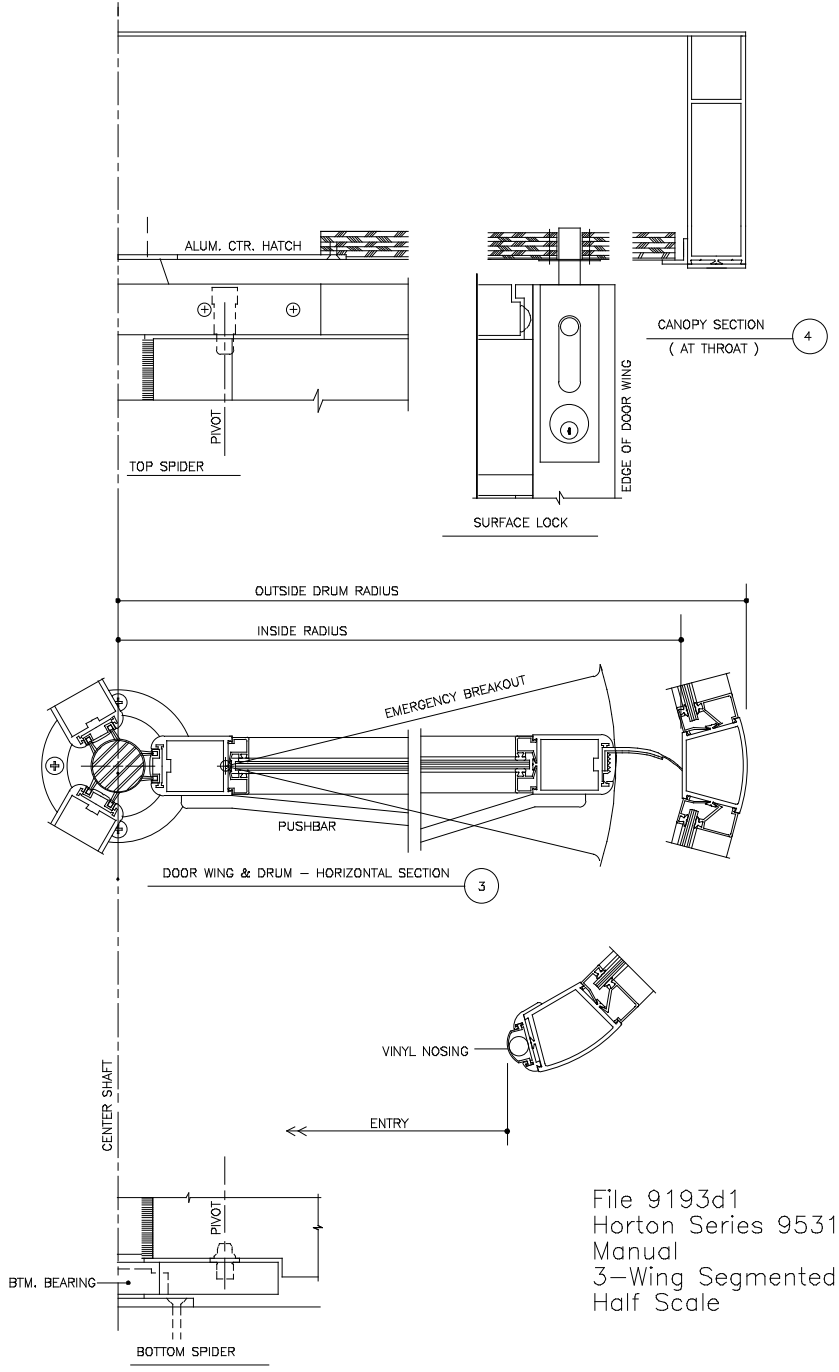


ELEVATION



DRUM VERTICAL SECTION 1

DOOR WING VERTICAL SECTION 2



File 9193d1
Horton Series 9531
Manual
3-Wing Segmented
Half Scale