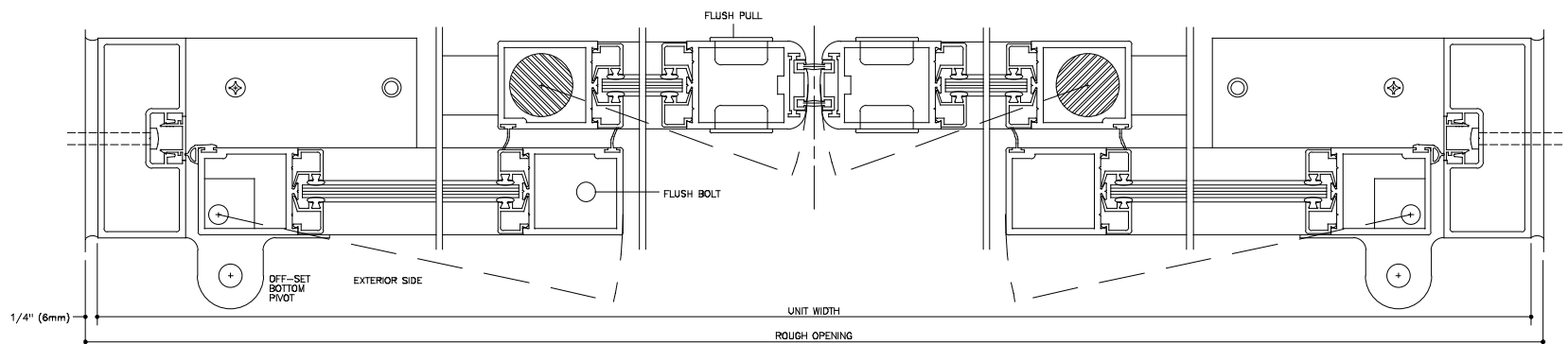
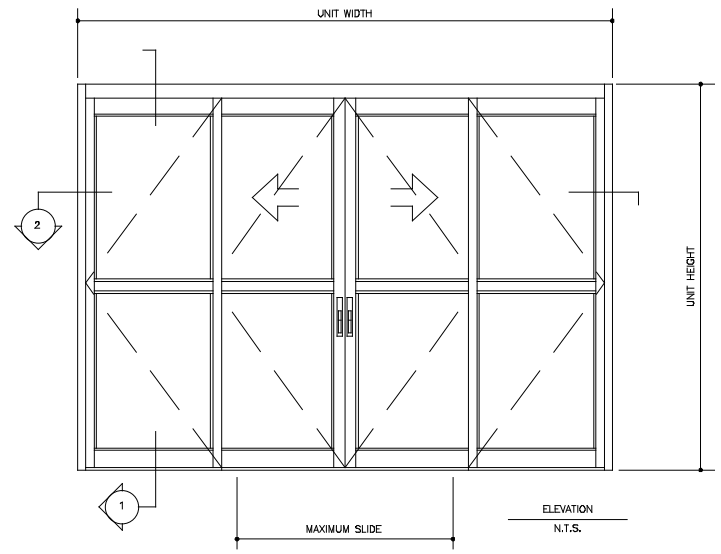


VERTICAL SECTION
FULL SCALE
DOOR SHOWN IN OPEN POSITION



HORIZONTAL SECTION
FULL SCALE



EMERGENCY BREAKOUT

NOTE: DOOR MUST BE IN FULL OPEN POSITION TO BREAKOUT.

FLOOR PLAN
N.T.S.

File 3.077d1
Horton ICU Series
Type 310 SO-SX-SX-SO
Trackless