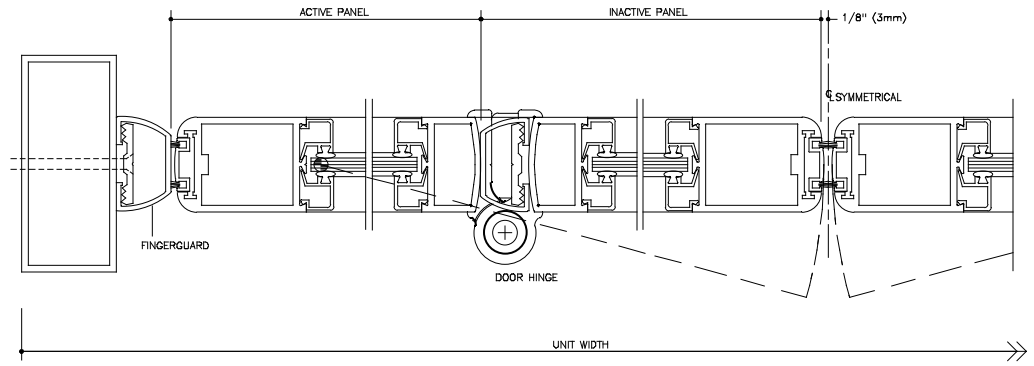
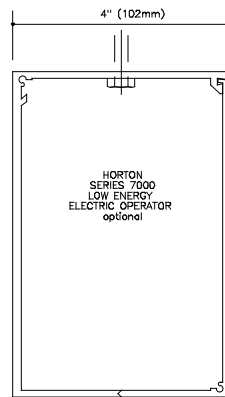
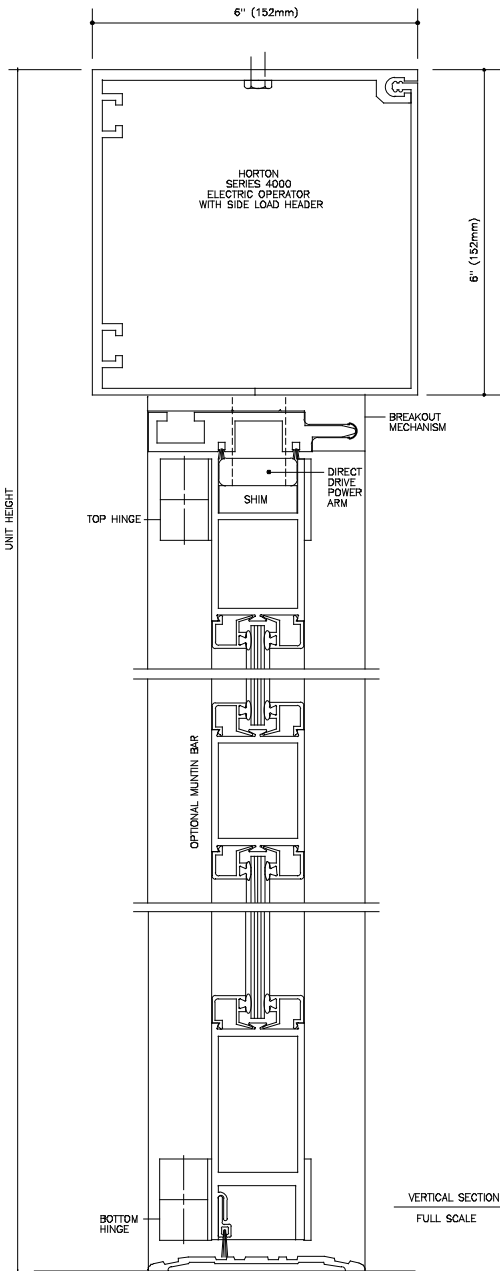
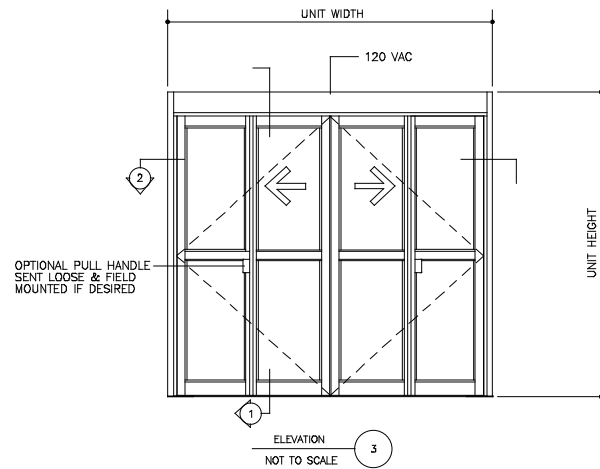


SERIES 4-4200

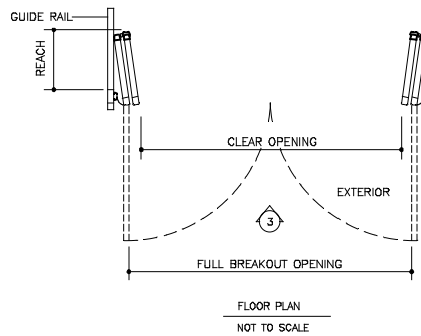
SERIES 4-7200



HORIZONTAL SECTION FULL SCALE 2



NOTE: Door opening should allow for 1/4" (5) minimum shim at jambs and header.



File 7.096d
Horton Bifold Door
Fold-In Type Pair (Hand LH-RH)
4-4200 Heavy Duty or Series 4-7200 Low Energy