

Elegant™



ALL GLASS MANUAL REVOLVING DOOR



Add a touch of class to a spectacular entrance with Horton's Elegant™ All Glass Revolving Door.

Innovative Features and Economical Performance

The **Elegant™** is the design oriented manual revolving door system. When used on an exterior entrance, the **Elegant™** showcases your building's façade and the interior aesthetics of the buildings lobby. Designed for use in a multitude of applications including office buildings, banks, upscale retail stores, hotels and restaurants where beauty, energy efficiency and a clear, unobstructed view are desired. Horton's **Elegant™** revolving door combines the features and benefits of a manual revolving door with the striking aesthetics of an all glass entrance.

While maintaining energy efficiency, the **Elegant™** manual revolving door meets your aesthetic requirements and provides an inviting and functional entryway.

Horton Automatics has the largest factory trained and certified distribution force to install, service and maintain your revolving doors anywhere in the world.

Standard Features:

- ▶ Choose from three standard diameters
- ▶ Underfloor speed control
- ▶ 9/16" curved laminated drum wall glass
- ▶ 3/4" laminated heat-strengthened ceiling glass
- ▶ Door wing collapsing hardware
- ▶ Recessed drum walls

Specifier Options:

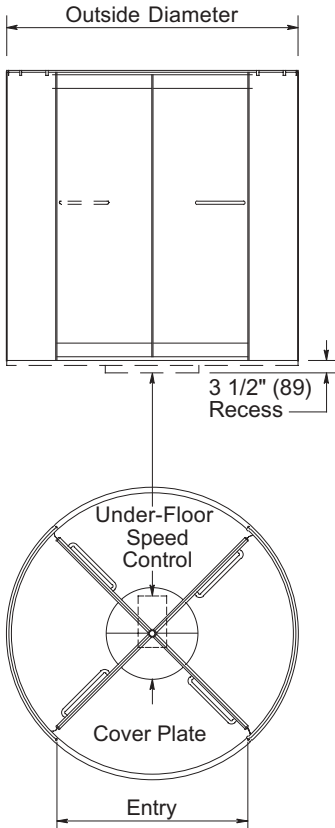
- ▶ Special finishes on door rails
anodized aluminum, paint or metal clad
- ▶ Surface mount drum walls
- ▶ Push bars – vertical or horizontal



Elegant™

energy efficient manual revolving doors
provide a functional and inviting entryway.

Elevation & Floor Plan

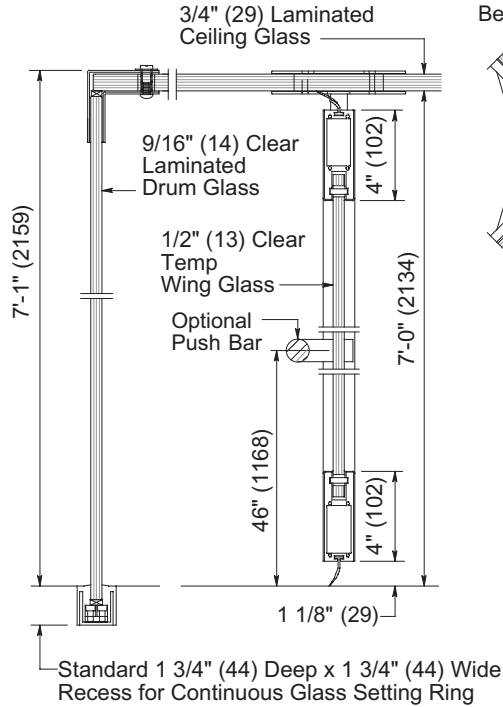


Standard Sizes

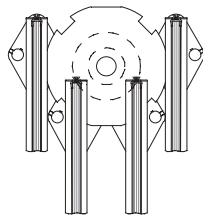
Outside Diameter	Entry
6'-0" (1829)	3'-10 7/8" (1191)
6'-6" (2012)	4'-2 7/8" (1292)
7'-0" (2134)	4'-6 7/8" (1394)

*Custom sizes available

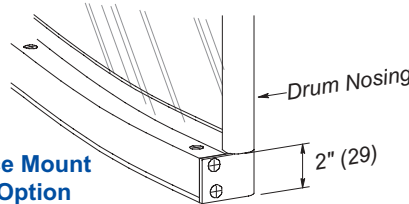
Vertical Section



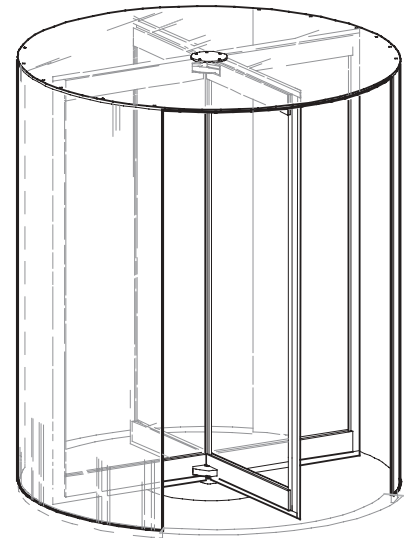
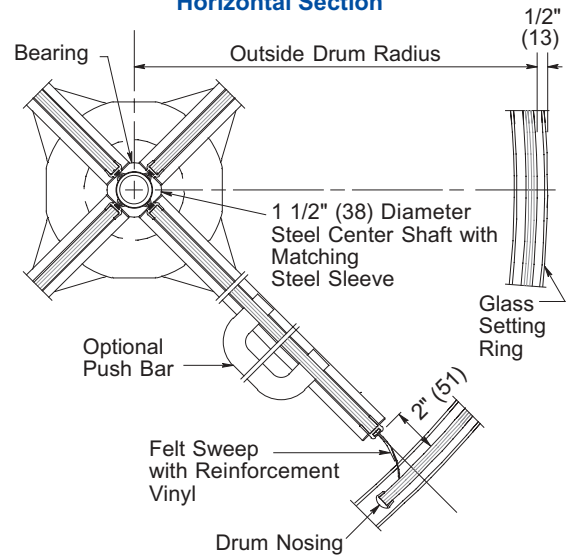
Door Wing Breakout Configuration



Surface Mount Drum Option



Horizontal Section



Elegant™ Manual Revolving Door



4242 Baldwin Boulevard
Corpus Christi,
Texas, U.S.A. 78405-3399
Tel: 800-531-3111, 361-888-5591
Fax: 800-531-3108, 361-888-6510
www.hortondoors.com

Horton Automatics reserves the right to alter its product and specifications without notice.

Horton Automatics, Ltd.
Unit A, Hortonwood 31
Telford, Shropshire, England TF1-7YZ
Tel: 01952 670169, Fax: 0192 670181
International Tel: ++44-1952-670169
International Fax: ++44-1952-670181



Form F501
© 2003 Horton Automatics
Printed in U.S.A.