

DORMA Automatics, Inc
 924 Sherwood Drive 60044
 Lake Bluff, Illinois
 Toll Free: (877)-367-6211
 Fax: (877)423-7999

THE STANDARD PACKAGE CONSISTS OF:

THE AUTOMATIC DOOR OPERATOR & HOUSING, FRAMES, DOORS, SIDELITES WITH VERTICAL AND HORIZONTAL WEATHERSTRIP, 2-POINT LOCKING, FIXED OR BREAKAWAY STOP, CONCEALED CONTROL PANEL (OFF, AUTO, HOLD-OPEN, REDUCED OPENING, EXIT ONLY ACTIVATION)

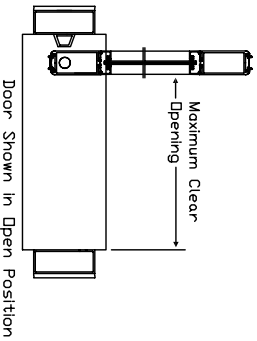
STANDARD FINISHES: CLEAR BHMA 204
 DARK BRONZE BHMA 313

SPECIAL FINISHES ARE AVAILABLE

DRAWING DIMENSIONS ARE IN ENGLISH AND METRIC UNITS. METRICS ARE SHOWN IN MILLIMETERS, AS FOLLOWS: 1" (25.4)

FOR MAXIMUM CURRENT DRAW, SEE PRODUCT SPECIFICATION OR INSTALLATION INSTRUCTIONS.

REFER TO APPLICABLE LOCAL, STATE OR NATIONAL BUILDING CODE FOR MINIMUM DOOR HEIGHTS AND WIDTHS FOR ALLOWABLE EGRESS REQUIREMENTS. SEE REFERENCE TABLE BELOW.



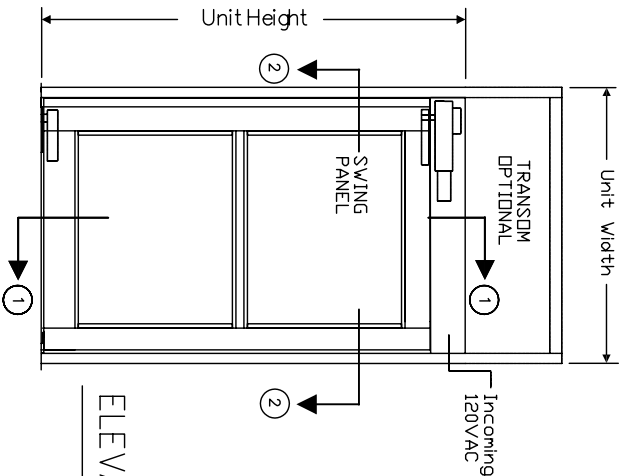
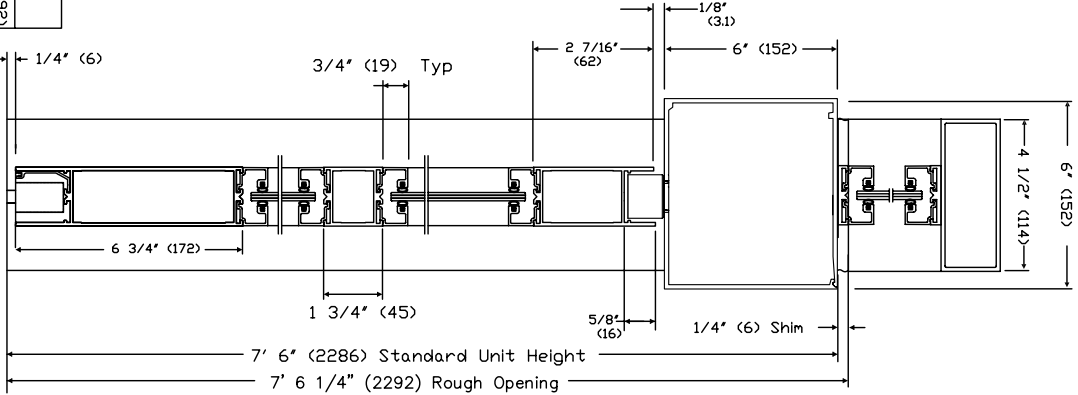
STANDARD PACKAGE SIZES

STANDARD UNIT SIZE	DOOR WIDTH	MAXIMUM CLEAR OPENING	ROUGH OPENING WIDTH	ROUGH OPENING HEIGHT
40 1/2" (1029)	7'-6" (2286)	36" (914)	32 1/4" (819)	40 1/4" (1022)
46 1/2" (1181)	7'-6" (2286)	42" (1067)	38 1/4" (963)	46 1/4" (1174)
52 1/2" (1333)	7'-6" (2286)	48" (1219)	44 1/4" (1123)	52 1/4" (1327)

Note: Dimensions in () are mm

SECTION 1

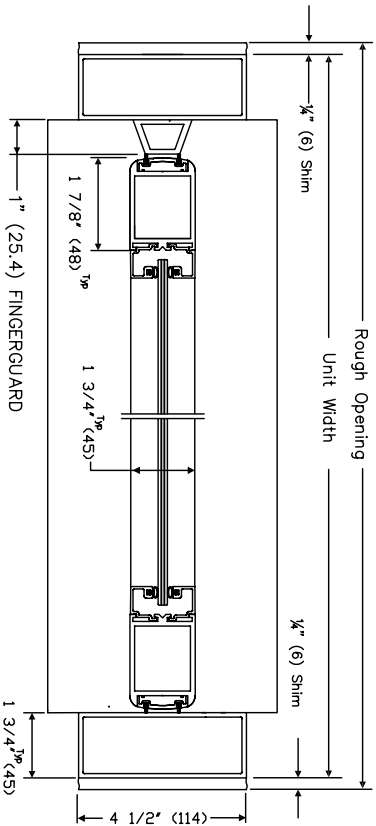
Door Shown in Closed Position



ELEVATION

SECTION 2

Door Shown in Closed Position



AUTOMATIC SWINGING DOOR
 ED 400 SERIES - SINGLE
 OVERHEAD CONCEALED
 Narrow Sill
 3/06