

DORMA Automatics, Inc
 924 Sherwood Drive 60044
 Lake Bluff, Illinois
 Toll Free: (877)-367-6211
 Fax: (877)-423-7999

THE STANDARD PACKAGE CONSISTS OF:

THE AUTOMATIC DOOR OPERATOR & HOUSING, FRAMES, DOORS, SIDELITES WITH VERTICAL AND HORIZONTAL WEATHERSTRIP, 2-POINT LOCKING, FIXED OR BREAKAWAY STOP, CONCEALED CONTROL PANEL (OFF, AUTO, HOLD-OPEN, REDUCED OPENING, EXIT ONLY ACTIVATION)

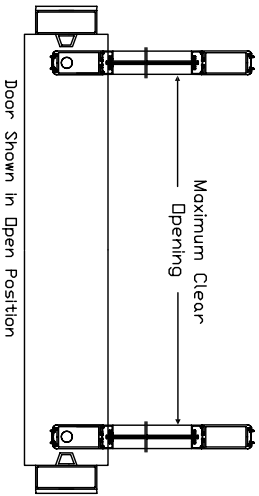
STANDARD FINISHES: CLEAR BHMA 204
 DARK BRONZE BHMA 313

SPECIAL FINISHES ARE AVAILABLE

DRAWING DIMENSIONS ARE IN ENGLISH AND METRIC UNITS. METRICS ARE SHOWN IN MILLIMETERS, AS FOLLOWS: 1" (25.4)

FOR MAXIMUM CURRENT DRAW, SEE PRODUCT SPECIFICATION OR INSTALLATION INSTRUCTIONS.

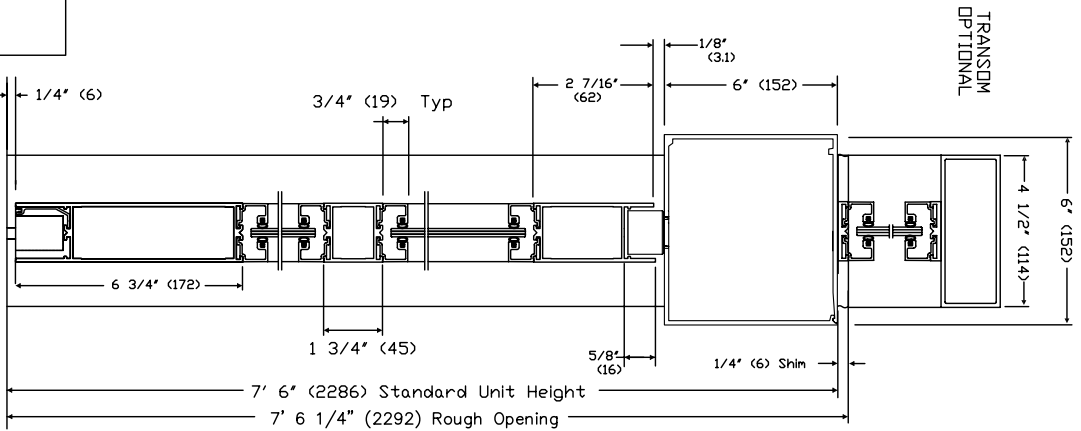
REFER TO APPLICABLE LOCAL, STATE OR NATIONAL BUILDING CODE FOR MINIMUM DOOR HEIGHTS AND WIDTHS FOR ALLOWABLE EGRESS REQUIREMENTS. SEE REFERENCE TABLE BELOW.



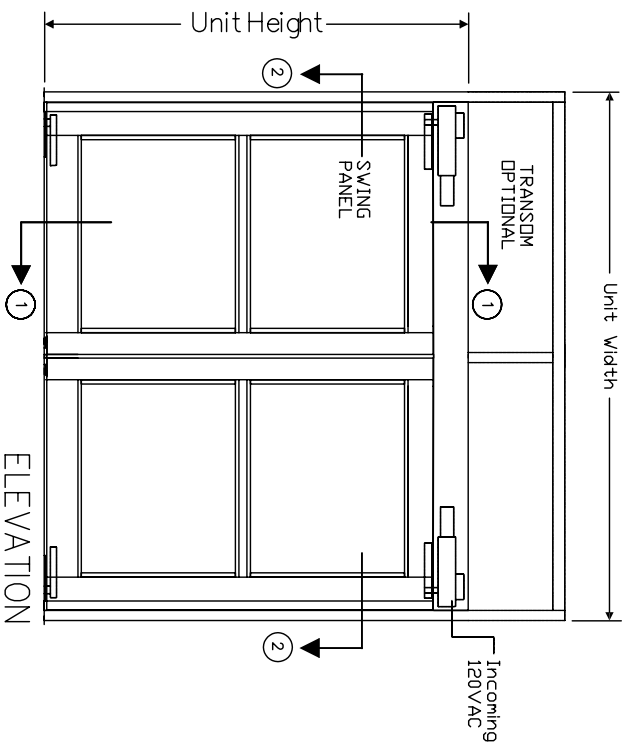
STANDARD PACKAGE SIZES

STANDARD UNIT SIZE WIDTH	STANDARD UNIT SIZE HEIGHT	DOOR WIDTH (each)	MAXIMUM CLEAR OPENING	ROUGH OPENING WIDTH	ROUGH OPENING HEIGHT
81" (2057)	7'-6" (2286)	36" (914)	64 1/2" (1638)	80 1/2" (2044)	7'-6 1/4" (2292)
93" (2362)	7'-6" (2286)	42" (1067)	76 1/2" (1943)	92 1/2" (2349)	7'-6 1/4" (2292)
105" (2667)	7'-6" (2286)	48" (1219)	88 1/2" (2248)	104 1/2" (2654)	7'-6 1/4" (2292)

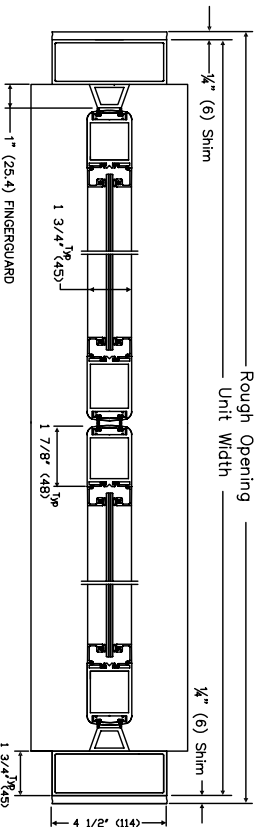
Note: Dimensions in () are mm



Door Shown in Closed Position



ELEVATION



SECTION 2

Door Shown in Closed Position

AUTOMATIC SWINGING DOOR
 ED 400 SERIES - PAIR
 OVERHEAD CONCEALED
 Narrow Sill
 3/06