

DORMA Automatics, Inc  
 924 Sherwood Drive 60044  
 Lake Bluff, Illinois  
 Toll Free: (877)-367-6211  
 Fax: (877)423-7999

THE STANDARD PACKAGE CONSISTS OF:

THE AUTOMATIC SWING DOOR OPERATOR & HOUSING, ARM, CONTROLER, MOUNTING HARDWARE, CONCEALED CONTROL PANEL (OFF, AUTO, HOLD-OPEN)

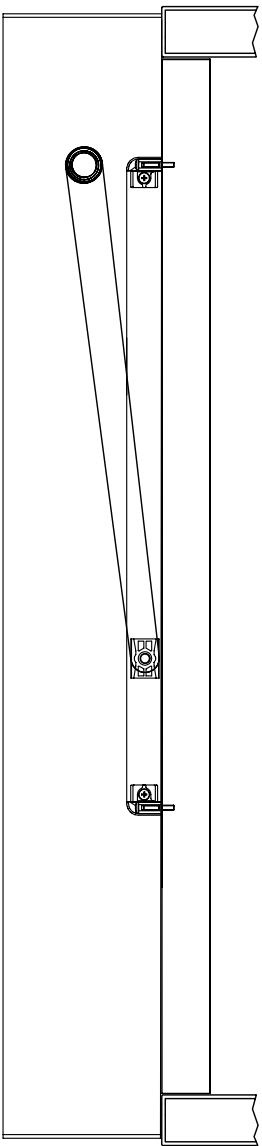
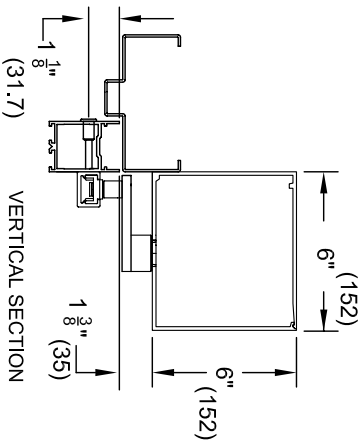
STANDARD FINISHES: CLEAR BHMA 204  
 DARK BRONZE BHMA 313

SPECIAL FINISHES ARE AVAILABLE

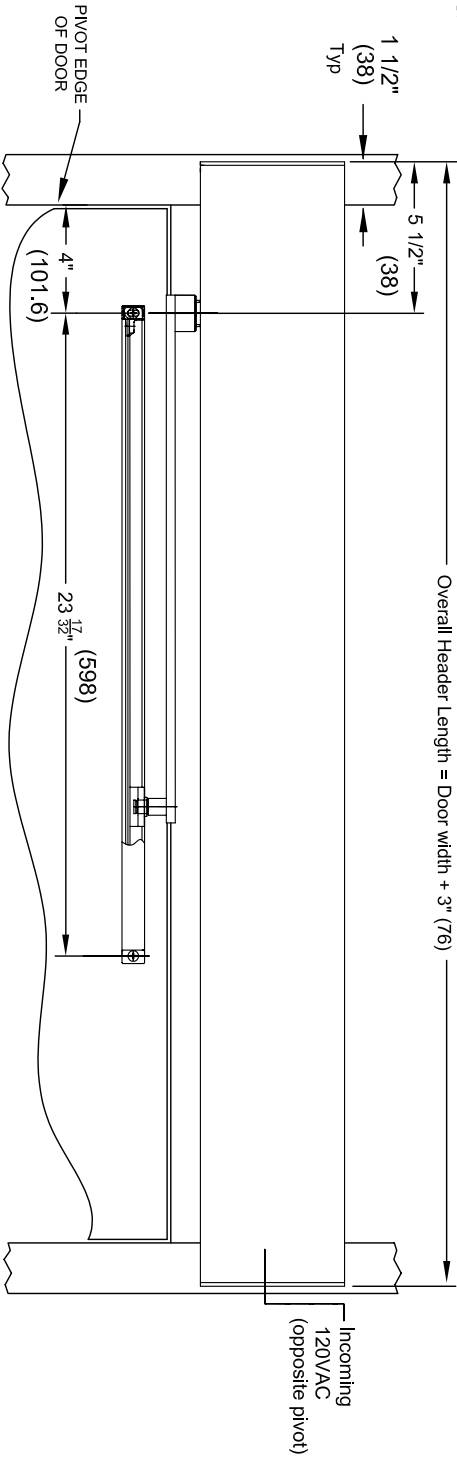
DRAWING DIMENSIONS ARE IN ENGLISH AND METRIC UNITS. METRICS ARE SHOWN IN MILLIMETERS, AS FOLLOWS: 1" (25.4)

FOR MAXIMUM CURRENT DRAW, SEE PRODUCT SPECIFICATION OR INSTALLATION INSTRUCTIONS.

REFER TO APPLICAPABLE LOCAL, STATE OR NATIONAL BUILDING CODE FOR MINIMUM DOOR HEIGHTS AND WIDTHS FOR ALLOWABLE EGRESS REQUIREMENTS. SEE REFERENCE TABLE.



PLAN



ELEVATION

R.H. SHOWN, L.H. OPPOSITE

Note: Dimensions in ( ) are mm

STANDARD OPERATOR SIZES	
DOOR WIDTH	OVERALL OPERATOR WIDTH
36" (914)	39" (990)
42" (1066)	45" (1143)
48" (1219)	51" (1295)

AUTOMATIC SWINGING DOOR  
 ED 400 SERIES - SINGLE  
 "PULL" SLIDE ARM  
 ALUMINUM DOOR  
 0" REVEAL ONLY 3/06