

DORMA Automatics, Inc
 924 Sherwood Drive 60044
 Lake Bluff, Illinois
 Toll Free: (877)-367-6211
 Fax: (877)-423-7999

THE STANDARD PACKAGE CONSISTS OF:
 THE AUTOMATIC DOOR OPERATOR & HOUSING,
 FRAMES, DOORS, SIDELITES WITH VERTICAL
 AND HORIZONTAL WEATHERSTRIP, EMERGENCY
 BREAKAWAY, 2-POINT LOCKING, CONCEALED
 CONTROL PANEL (OFF, AUTO, HOLD-OPEN,
 REDUCED OPENING, EXIT ONLY ACTIVATION)
 STANDARD FINISHES: CLEAR BHMA 204
 DARK BRONZE BHMA 313
 SPECIAL FINISHES ARE AVAILABLE

DRAWING DIMENSIONS ARE IN ENGLISH AND
 METRIC UNITS. METRICS ARE SHOWN IN
 MILLIMETERS, AS FOLLOWS: 1" (25.4)

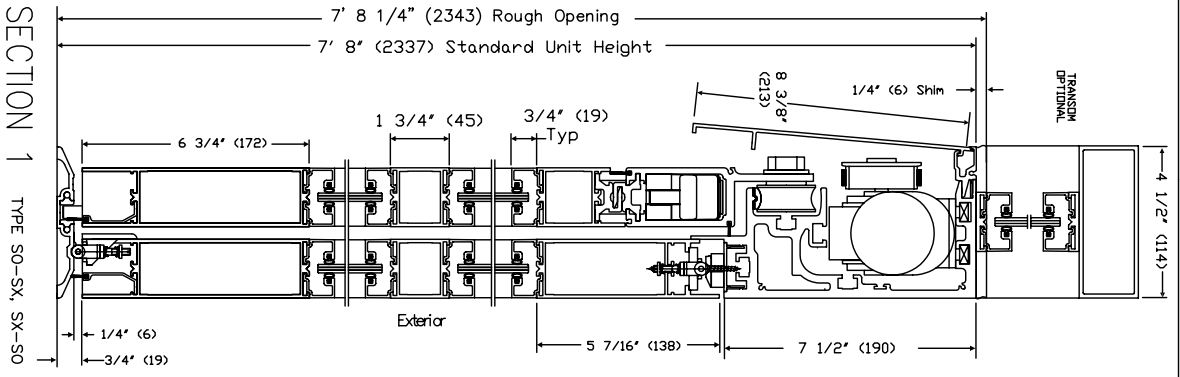
FOR MAXIMUM CURRENT DRAW, SEE
 PRODUCT SPECIFICATION OR
 INSTALLATION INSTRUCTIONS.

REFER TO APPLICABLE LOCAL, STATE OR
 NATIONAL BUILDING CODE FOR MINIMUM DOOR
 HEIGHTS AND WIDTHS FOR ALLOWABLE EGRESS
 REQUIREMENTS. SEE REFERENCE TABLE BELOW.

STANDARD PACKAGE SIZES

STANDARD UNIT SIZE	MAXIMUM SLIDE OPENING	ROUGH OPENING WIDTH	HEIGHT	BREAKOUT
7'-0"(2134)	35" (889)	7'-0 1/2"(2146)	7'-8 1/4"(2343)	75"(1905)
8'-0"(2339)	41" (1041)	8'-0 1/2"(2451)	7'-8 1/4"(2343)	87"(2210)
8'-6"(2591)	44" (1118)	8'-6 1/2"(2604)	7'-8 1/4"(2343)	93"(2362)
9'-0"(2743)	47" (1194)	9'-0 1/2"(2756)	7'-8 1/4"(2343)	99"(2515)

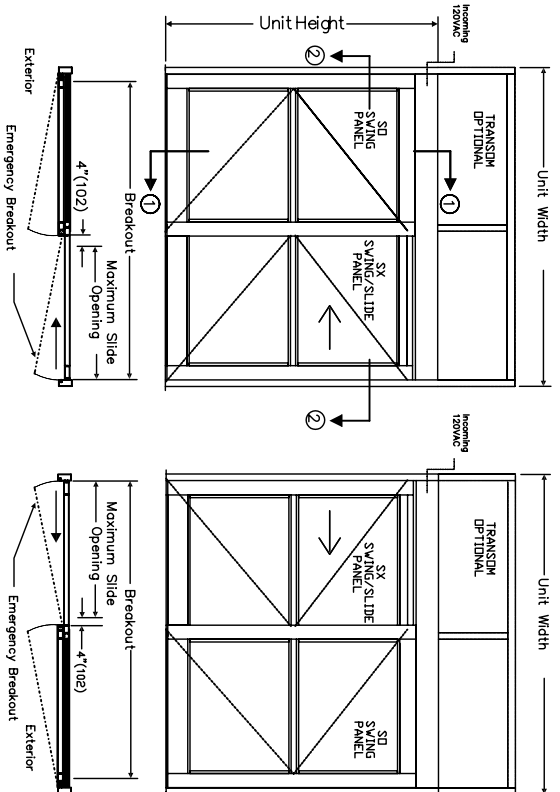
* Note: Dimensions in () are mm.



Door Shown in Open Position

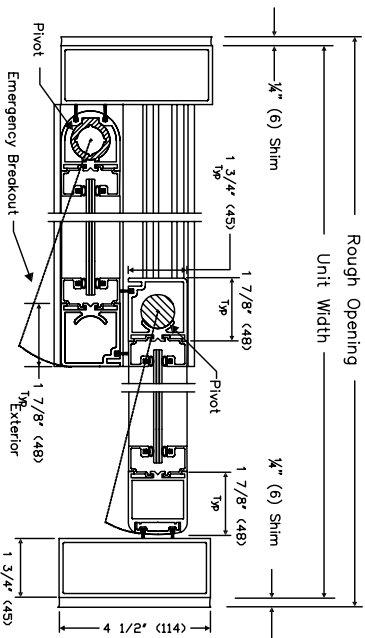
ELEVATION/PLAN

TYPE SO-SX and SX-SO



SECTION 2

TYPE SO-SX Shown, SX-SO Opposite



AUTOMATIC SLIDING DOOR
 ESA-300 SERIES
 TYPE SO-SX, SX-SO
 Narrow Sile
 3/06