

DORMA Automates, Inc
 924 Sherwood Drive 60044
 Lake Bluff, Illinois
 Toll Free: (877)-367-6211
 Fax: (877)-423-7999

THE STANDARD PACKAGE CONSISTS OF:
 THE AUTOMATIC DOOR OPERATOR & HOUSING,
 FRAMES, DOORS, SIDELITES WITH VERTICAL
 AND HORIZONTAL WEATHERSTRIP, EMERGENCY
 BREAKAWAY, 2-POINT LOCKING, CONCEALED
 CONTROL PANEL (OFF, AUTO, HOLD-OPEN,
 REDUCED OPENING, EXIT ONLY ACTIVATION)

STANDARD FINISHES: CLEAR BHMA 204
 DARK BRONZE BHMA 313

SPECIAL FINISHES ARE AVAILABLE

DRAWING DIMENSIONS ARE IN ENGLISH AND
 METRIC UNITS. METRICS ARE SHOWN IN
 MILLIMETERS, AS FOLLOWS: 1" (25.4)

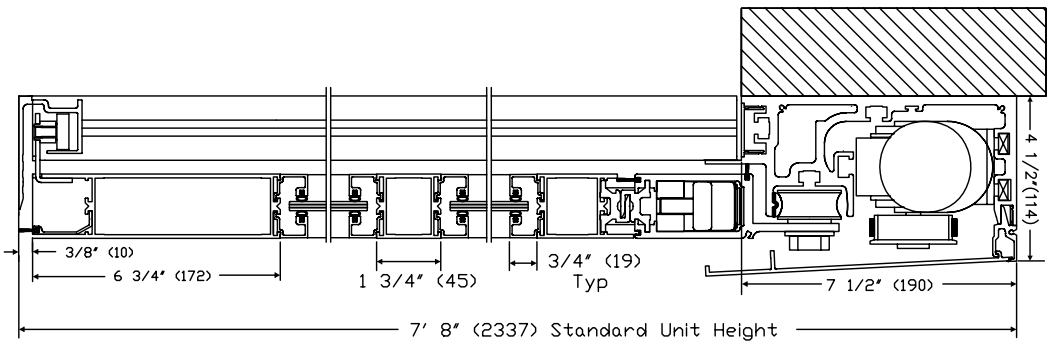
FOR MAXIMUM CURRENT DRAW, SEE
 PRODUCT SPECIFICATION OR
 INSTALLATION INSTRUCTIONS.

REFER TO APPLICABLE LOCAL, STATE OR
 NATIONAL BUILDING CODE FOR MINIMUM DOOR
 HEIGHTS AND WIDTHS FOR ALLOWABLE EGRESS
 REQUIREMENTS. SEE REFERENCE TABLE BELOW.

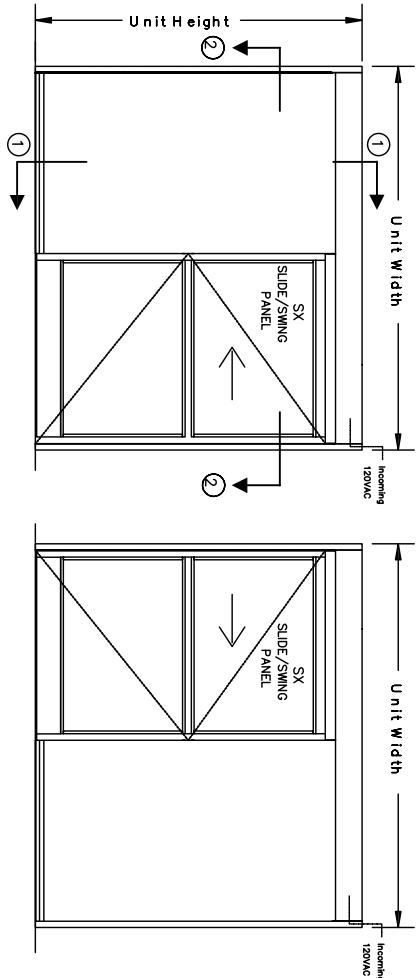
STANDARD PACKAGE SIZES

STANDARD UNIT SIZE WIDTH	HEIGHT	MAXIMUM SLIDE OPENING	OPENING WIDTH
7'-0"(2134)	7'-8"(2337)	35"(889)	39"(991)
8'-0"(2438)	7'-8"(2337)	41"(1041)	45"(1143)
8'-6"(2591)	7'-8"(2337)	44"(1118)	48"(1219)
9'-0"(2743)	7'-8"(2337)	47"(1194)	51"(1295)

* Note: Dimensions in () are mm.

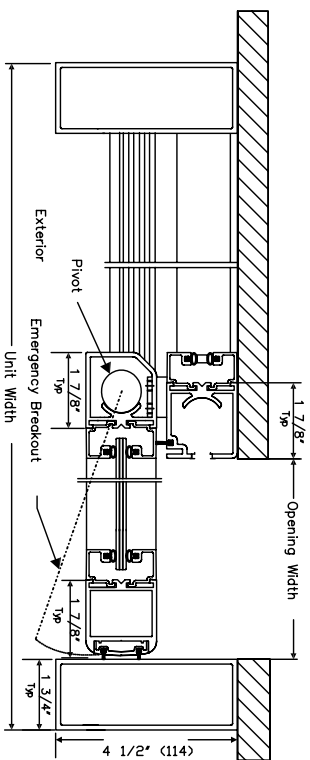


SECTION 1 TYPE P-SX Shown, SX-P
 Door Shown in Open Position



ELEVATION/PLAN

TYPE P-SX and SX-P



SECTION 2

TYPE P-SX Shown, SX-P Opposite

AUTOMATIC SLIDING DOOR
 ESA-200 SERIES
 TYPE P-SX, SX-P
 Narrow Slite
 12/05

