

DORMA Automatics, Inc
 924 Sherwood Drive 60044
 Lake Bluff, Illinois
 Toll Free: (877)-367-6211
 Fax: (877)423-7999

STANDARD OPERATOR SIZES

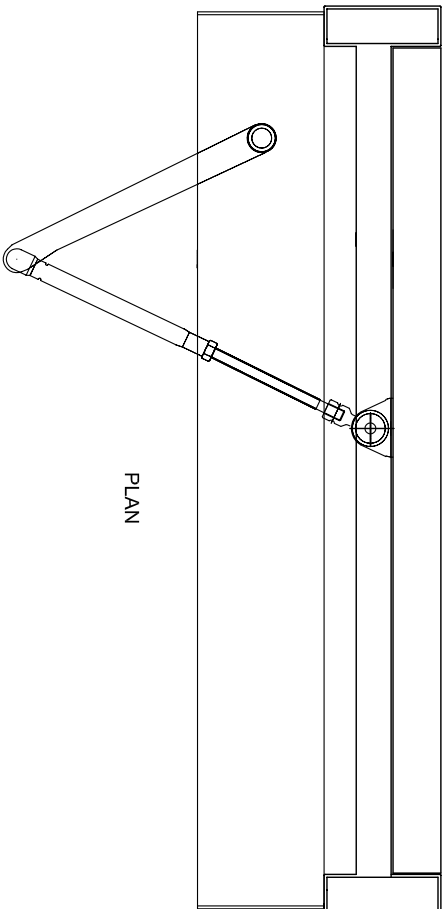
DOOR WIDTH	OVERALL OPERATOR WIDTH
36" (914)	39" (990)
42" (1066)	45" (114)
48" (1219)	51" (1295)

THE STANDARD PACKAGE CONSISTS OF:
 THE AUTOMATIC SWING DOOR OPERATOR & HOUSING, ARM, CONTROLLER, MOUNTING HARDWARE, CONCEALED CONTROL PANEL (OFF, AUTO, HOLD-OPEN)
 STANDARD FINISHES: CLEAR BHMA 204
 DARK BRONZE BHMA 313
 SPECIAL FINISHES ARE AVAILABLE

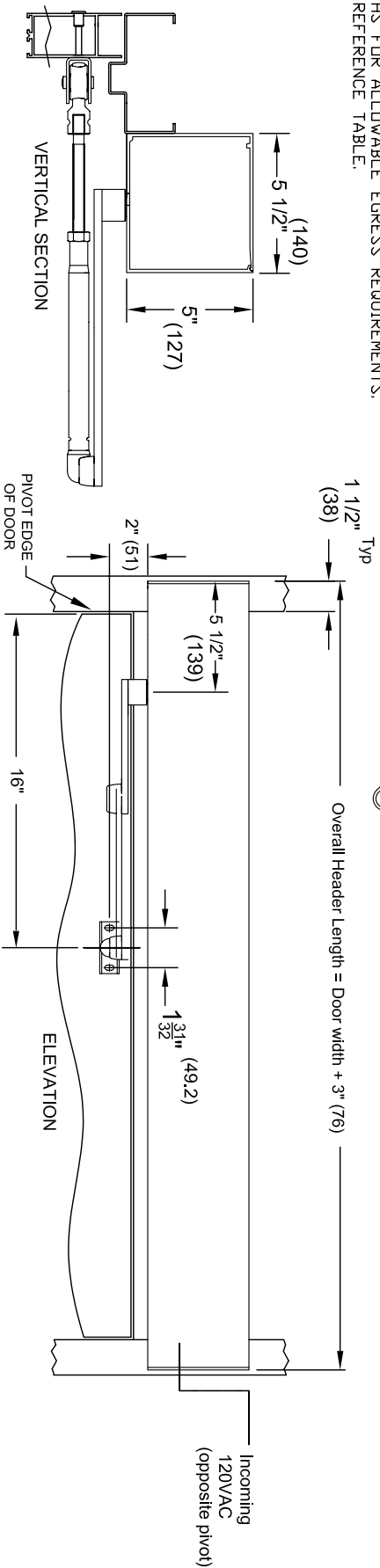
DRAWING DIMENSIONS ARE IN ENGLISH AND METRIC UNITS. METRICS ARE SHOWN IN MILLIMETERS, AS FOLLOWS: 1' (25.4)

FOR MAXIMUM CURRENT DRAW, SEE PRODUCT SPECIFICATION OR INSTALLATION INSTRUCTIONS.

REFER TO APPLICABLE LOCAL, STATE OR NATIONAL BUILDING CODE FOR MINIMUM DOOR HEIGHTS AND WIDTHS FOR ALLOWABLE EGRESS REQUIREMENTS. SEE REFERENCE TABLE.



PLAN



L.H. SHOWN, R.H. OPPOSITE

Note: Dimensions in () are mm