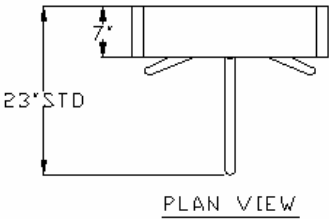
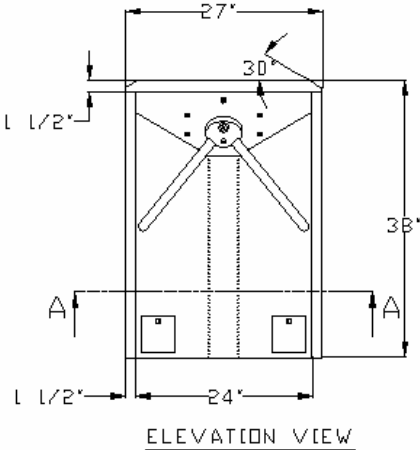


TOMSED CORP

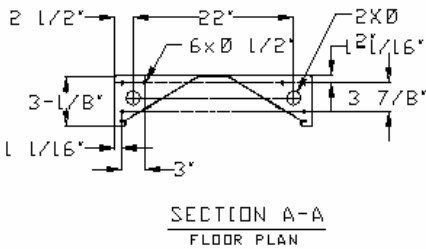
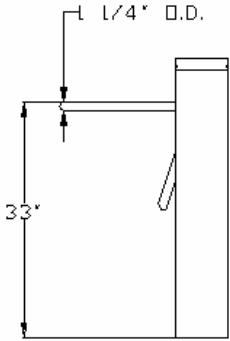
MODEL TUT-60M DELUXE MECHANICAL TURNSTILE



PLAN VIEW



ELEVATION VIEW



SECTION A-A
FLOOR PLAN

NOTICE:
The data contained herein is proprietary to Tomsed Corp. This data shall not be duplicated, transferred, made available or used by any third party for any purpose except specifically authorized by Tomsed Corp