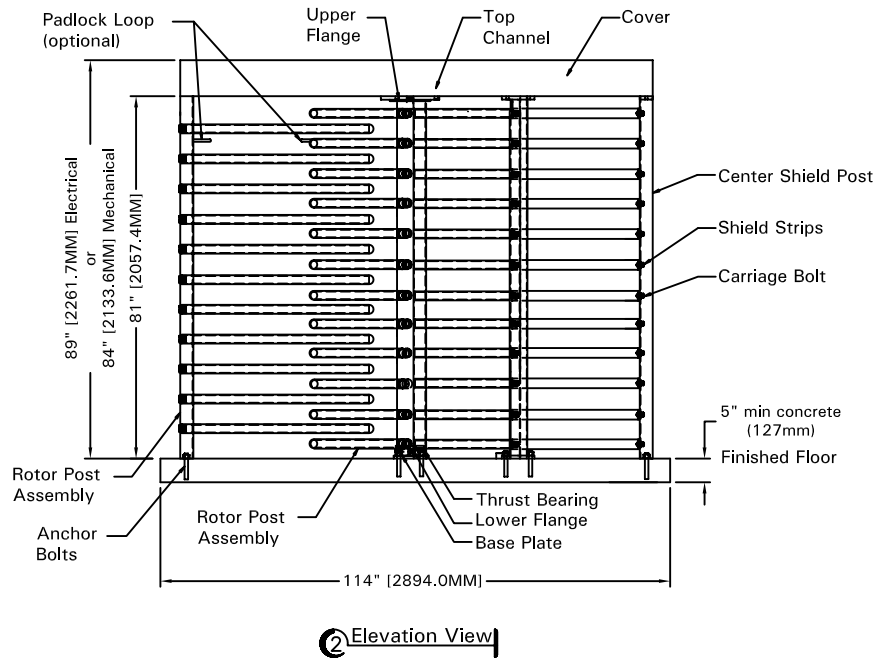
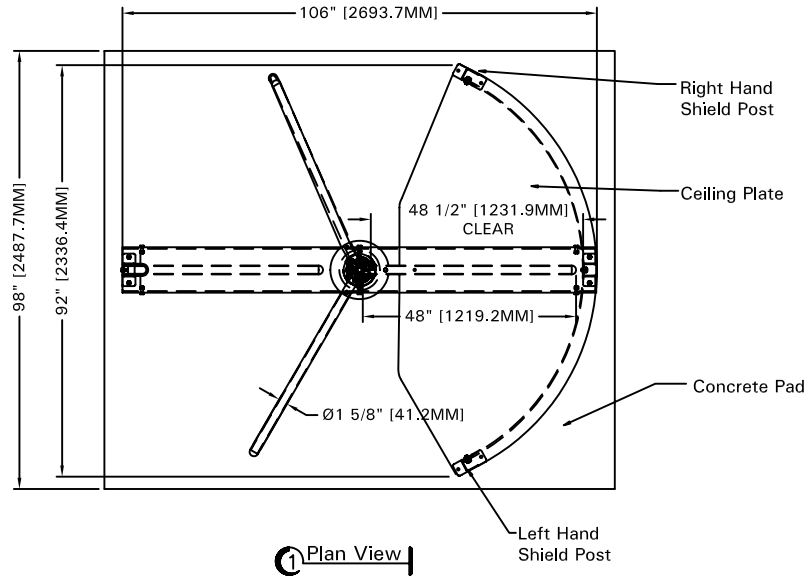


# THT-100HG Roto-Gard Electric Turnstile



### Options:

- Pulse Relay.
- Time-out relay.
- Red and green indicator lights.
- Remote release pushbutton.
- Rotation detection switch.
- Heel protectors.
- Card reader mounting plate.

### Installation:

Level of concrete pad measuring min 100"Wx116"Lx5"D is required.  
The overall slope of the installation surface should not be more than 1/8".  
Regardless, turnstile should be installed plumb.