

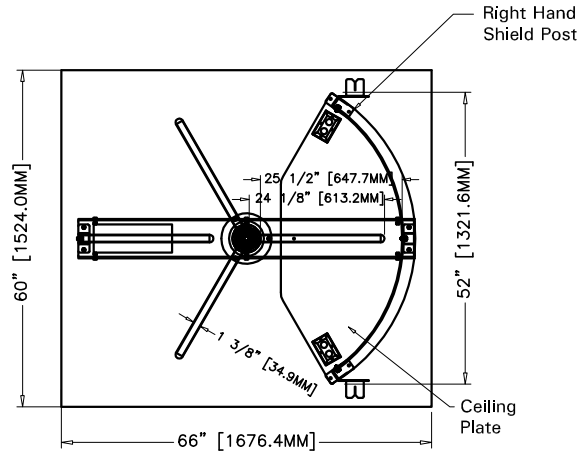


Your Entrance. Our Technology.

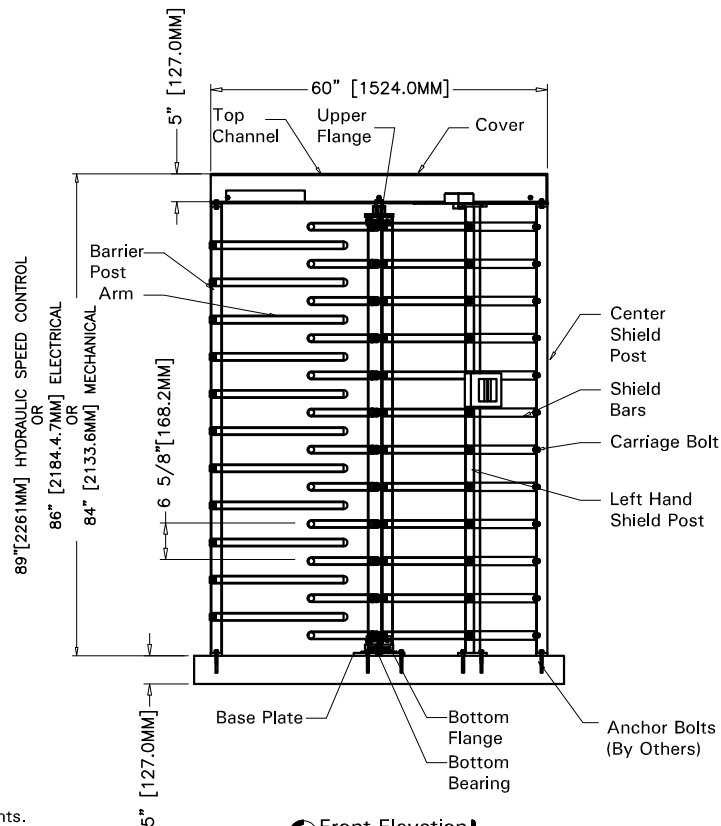
402 McKinney Parkway, Lillington, NC 27546 Tel: (910) 814-8100 Fax: (910) 814-3899 <http://www.boonedam.us>

THT-100S/A/ES/EA 7'High Full Security Roto-Gard Electric Turnstile

Reference Drawings



1 Plan View



2 Front Elevation

Options:

- Pulse Relay.
- Time-out relay.
- Red and green indicator lights.
- Remote release pushbutton.
- Rotation detection switch.
- Heel protectors.
- Card reader mounting plate.
- Full Lexan, aluminum or stainless steel shield panel.
- Electropolishing.
- Hydraulic Speed Control (Gear Type)

Installation:

Turnstile Installs on Finish Floor.
Floor Must be Dead Level.
Power Supply from Floor or above. Turnstile is Free-standing.