

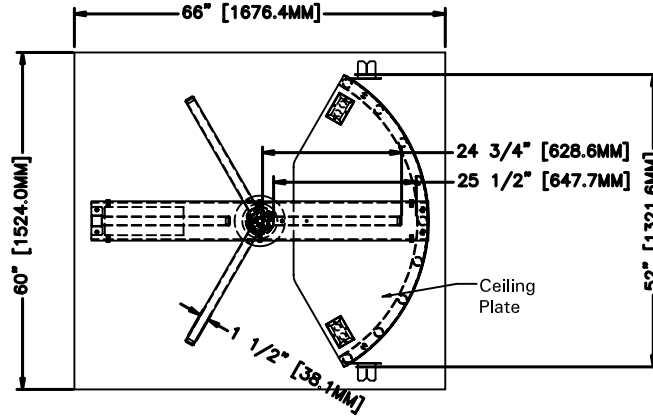


Your Entrance. Our Technology.

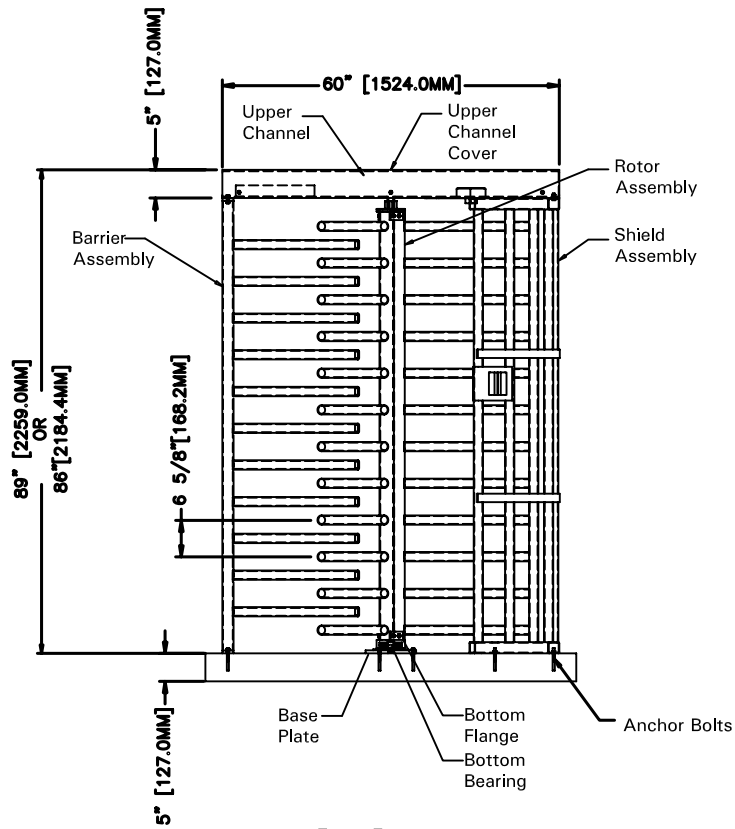
402 McKinney Parkway, Lillington, NC 27546 Tel: (910) 814-8100 Fax: (910) 814-3899 <http://www.boonedam.us>

THT-100C/CP/EC/ECP 7' HIGH FULL SECURITY ELECTRIC TURNSTILE

Reference Drawings



① Plan View



② Front Elevation

Options:

- Pulse Relay.
 - Time-out relay.
 - Red and green indicator lights.
 - Remote release pushbutton.
 - Rotation detection switch.
 - Heel protectors.
 - Card reader mounting plate.
 - Hydraulic speed control
- (Overall height of unit is 89" with this options.)

Installation:

Turnstile Installs on Finish Floor.
Floor Must be Dead Level.
Power Supply from Floor or above. Turnstile is Free-standing.