

# Tomsed Waist High Turnstiles



TST-75RN

## Versatility in application and design

Boon Edam waist high turnstiles combine aesthetics with automatic operation and feature a robust yet compact design. Our turnstiles provide a versatile and effective means of controlling pedestrian access in almost any location. Intended to interface with access control or token operators, our waist high turnstiles are used in applications including stadiums and arenas, recreation and amusement parks, retail crowd control and office reception control.

### Universal tripod security barriers

With simple and robust mechanisms and a wide range of operating parameters, our waist high turnstiles create an effective physical barrier to separate non-secured and secured areas. A choice of operating modes in each direction allows for single or bidirectional control.

All models are highly reliable, space-efficient security barriers and can be integrated with an access control system, display, counter or token operation. The turnstiles are simple to install, either directly onto the finished floor, mounted against walls, or are available as temporary portable units.

## Adaptable design

Our waist high turnstiles are robust products with similar working principles, but differ in their application areas and design. The TUT-50's tripod mechanism is mounted on a pedestal; the compact cabinets of the TUT-60 and TUT-65 make them simple to construct a multi-lane setup; and the TST-75 is our most flexible in design.

### Finishing & Construction

The TUT-50 mechanism housing and pedestal are fabricated from 3/16" carbon steel, powder coated black. The TUT-60, TUT-65 and TST-75 feature 14 and 16 gauge stainless steel cabinet construction with a satin finish. Powder coating in a variety of colors is an available option. The lockable stainless steel cover has concealed hinges. The TST-75 is available in stainless steel, brass or bronze (muntz) finishes with matching metal, Corian®, or stone tops.

The three arms of the tripod mechanism are satin finished stainless steel. All internal components of the mechanism are cadmium plated to ensure long life. Boon Edam's waist high turnstiles feature a heavy-duty, modular, self-centering mechanism to ensure long life and minimum maintenance.

## Safety features

**At Boon Edam we put safety first. Safety is an important issue when securing your entrance, as is the ability to use your entrance as an emergency exit. Our waist high turnstiles are designed to be fail-lock or fail-safe to give you the versatility and security you require.**

### Fail-lock, fail-safe

If the turnstile is fail-safe, the locked mechanism disengages in the event of a power failure or fire alarm activation. Turnstiles with a rigid tripod mechanism will rotate freely; turnstiles with a collapsible tripod mechanism will allow the horizontal arm to fall, allowing for a barrier-free emergency exit. If a fire alarm system is connected to the turnstile's power supply, the fail-safe function can be automatically activated in the event of an alarm.

## Registering turnstiles

**When it comes to handling high volume crowds, Boon Edam's registering turnstiles have every detail covered. These mechanically operated turnstiles are supplied with a rugged, five-digit resettable register that ensures an accurate and reliable count of your patrons.**

Our TUT-50R and TUT-60M offer a simple, mechanical operation for your high traffic entrance, while the TUT-65RTB is available for mechanical or electrical operation. The TUT-65RTB also features a lockable ticket compartment and recessed pocket for promotional advertising materials. A hip or hand control temporarily locks the turnstile during ticket verification.

<i>Model</i>	<i>Operation</i>	<i>Durability</i>
TUT-50R	Mechanical	Light-medium
TUT-60M	Mechanical	Medium-high
TUT-65RTB	Mechanical or Electrical	Medium-high

## Electrical turnstiles

**Our electrical turnstiles are designed to handle high volume crowds with ease. They allow for easy interfacing with a variety of access control devices.**

For easy one-direction access control, nothing's more popular than Boon Edam's TUT-50E electric turnstile. For more versatility, the TUT-60E, TST-75ES and TST-75ERN configurations include one-way operation with free or locked exit, or two-way independently controlled for entry and exit. The turnstiles can be supplied fail-lock, fail-safe or any combination to meet your specific requirements.

Imagine a turnstile that can handle New York City commuters with ease. The TST-75ES is specially designed for access control applications involving excessive traffic volume and abuse. Its electrically operated mechanism is specified by several Transit Authority Systems, including New York City and Boston.

For high volume crowds in an upscale environment, the TST-75ERN provides high performance with high style to match. The smooth, attractive appearance of the "round nose" design is complimented by a variety of available finishes and custom tops.

<i>Model</i>	<i>Operation</i>	<i>Durability</i>
TUT-50E	Electrical	Light-medium
TUT-60E	Electrical	Medium-high
TST-75ES	Electrical	High
TST-75ERN	Electrical	High





## Coin and token collection

When it comes to coin and token operated turnstiles, Boon Edam's TUT-50T, TUT-60T and TST-75ET rank in the top slot. Equipped with an electronic coin or token acceptor, these turnstiles are ideal for high volume applications with automatic fare/admission charge collection.

Our token turnstiles can be set for any size token or coin from the size of a dime up to 1-1/4" in diameter. The acceptor unit automatically validates the proper token or coin(s) deposited and allows entry. Incorrect coins or tokens are rejected, and the coin chute returns them to the user. A locked coin compartment (with locked door accessible only by authorized personnel) is constructed as part of the heavy steel pedestal frame.

Designed to meet system-specific requirements, the TST-75ET offers complete turn-key solutions or can be integrated with your existing fare collection system. The TST-75ET includes either a single or multiple coin acceptor and control electronics to interface with magnetic passcards, SMART cards, or barcode ticketing readers.

<i>Model</i>	<i>Operation</i>	<i>Durability</i>
TUT-50T	Electrical	Light-medium
TUT-60T	Electrical	Medium-high
TST-75ET	Electrical	High

## Barcode scanning & ticketing

Ideal for applications involving ticketing or barcode scanning, the TUT-65TM and TUT-65TMB offer durability and appeal.

The TUT-65TM and TUT-65TMB are fix-mounted, hard-wired turnstiles capable of providing direct communications with ticketing systems. The turnstile's mechanical register counts entries and sends the counts to a remote, PC-based counting system. A built-in ticket box allows manual ticket collection and validation during non-scanning events.

The TUT-65TM operates electrically, while the TUT-65TMB is a battery powered turnstile and is available as a portable or fix-mounted unit.

<i>Model</i>	<i>Operation</i>	<i>Durability</i>
TUT-65TM	Electrical	Medium-high
TUT-65TMB	Battery powered	Medium-high



# Options

	TUT-50	TUT-60	TUT-65	TST-75
<b>Mechanical turnstiles</b>				
Platform and railing for portable use	•	•	•	•
Wheels to facilitate moving	•	•	•	•
Additional counter	•	•	•	•
Out-of-use lock	•	•	•	•
18" Extended arms	•	•	•	•
20" Extended arms	N/A	N/A	N/A	•
Hand control	•	•	•	N/A
<b>Electrical turnstiles</b>				
Red and green indicator lights	•	•	•	•
Time-out relay (per controlled direction)	•	•	•	•
Pulse relay (per controlled direction)	•	•	•	•
Electromechanical counter	•	•	•	•
Push button (per controlled direction)	•	•	•	•
Rotation detection switch (per controlled direction)	•	•	•	•
Card reader mounting holes	•	•	•	•
18" Extended arms	•	•	•	•
20" Extended arms	N/A	N/A	N/A	•
Collapsible mechanism	N/A	N/A	N/A	•
Serial port interface (PC direct operation)	•	•	•	•
"Flush mount" card reader mounting	N/A	•	•	•

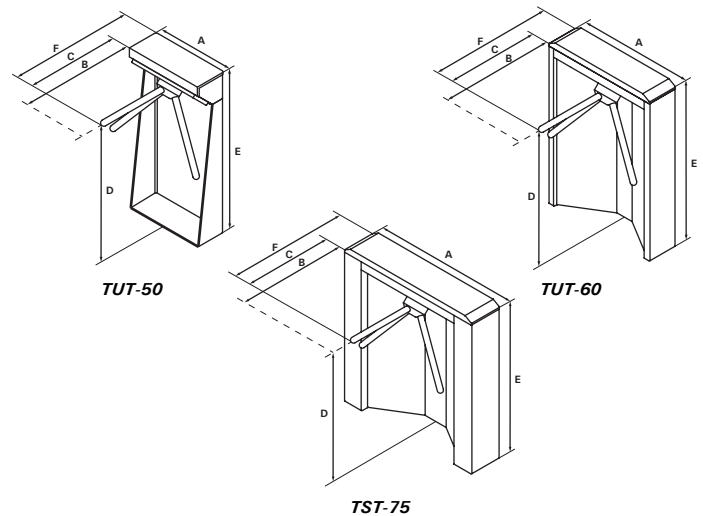
## Footprints & Dimensions

Dimensions (in)	A Unit Length	B Passage Width	C Arm Length	D Arm Height	E Unit Height	F Overall Width	Capacity (people per minute)
TUT-50	18"	18"	16"	32½"	37-3/8"	23"	15 - 20
TUT-60	27"	18"	16"	33"	38"	23"	15 - 20
TUT-65	32"	18"	16"	34"	39½"	23"	15 - 20
TST-75	36"	18"	16"	32"	38"	24"	15 - 20

## Technical specifications

Power supply <sup>1</sup>	110 VAC or 200-240 VAC, 50/60 Hz or 24 VDC
Power consumption <sup>1</sup>	220W
Ambient temperature	5°F to 110°F
Weights (approx):	
TUT-50	floor mounted: 110 lbs
TUT-60	floor mounted: 140 lbs
TUT-65	floor mounted: 150 lbs
TST-75	floor mounted: 180 lbs
Portable platform and railing	70 lbs
Connection	The electrical waist high turnstile communicates with most authorization systems using potential free contacts.

<sup>1</sup>Only for electrical models



Boon Edam operates a policy of continuous refinement and improvement and therefore reserves the right to modify design and details at any time.



Boon Edam Inc.  
402 McKinney Parkway • Lillington, NC 27546  
T (910) 814 3800 E sales@boonedam.us  
F (910) 814 3899 I www.boonedam.us



WHT-0708